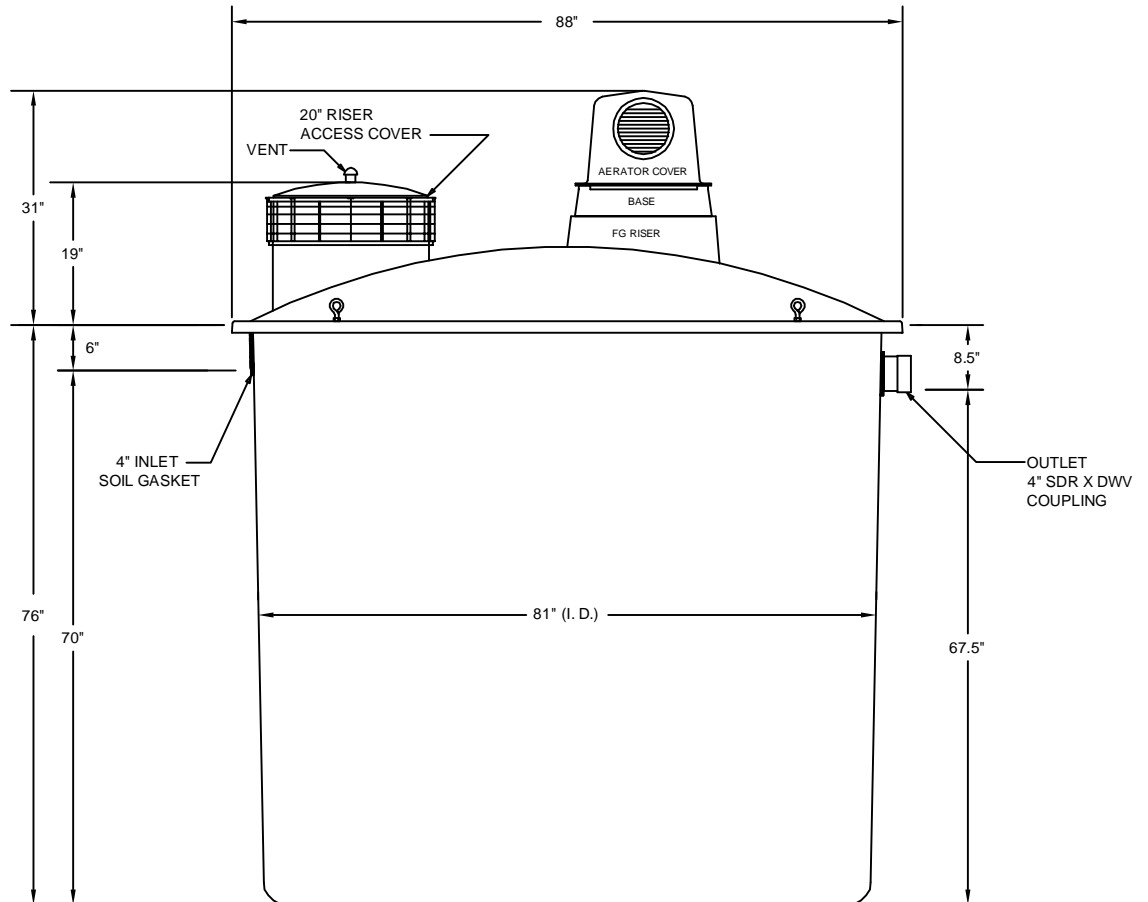


TOP VIEW



SIDE VIEW

ALL DIMENSIONS IN INCHES

DESCRIPTION:				
MODEL AS750 EZ TOP				
Treatment Capacity: 750 GPD		Flow Line Volume: 1516 GAL		
BOD Loading: 1.85 #/DAY				
DWG REF: D-TA-008	REV: 0	DATE: 10/14/04	SCALE: FULL	ENG: RD
ECOLOGICAL TANKS, INC		NO PART OF THIS DRAWING MAY BE REPRODUCED, STORED IN ANY RETRIEVAL SYSTEM, OR TRANSMITTED IN ANY FORM OR BY ANY MEANS, ELECTRONIC, MECHANICAL, PHOTOCOPIING, RECORDING OR OTHERWISE WITHOUT THE PRIOR WRITTEN PERMISSION OF ECOLOGICAL TANKS, INC.		
2247 HWY 151 NORTH DOWNSVILLE, LA 71234 318-644-0397 OFFICE 318-644-7257 FAX				