



cast iron submersible sump pumps



Rugged cast iron sump pumps feature a vortex impeller to provide solids-handling capability up to 1/2". Product is available in 1/3 or 1/2 HP, 115 Volt single phase 60 Hz. Pump discharge is 1-1/2" FNPT. Field-replaceable piggy-back float switch: vertical for minimum diameter 10" sumps, or tethered for minimum diameter 14" sumps.

APPLICATIONS

- Basement Sumps
- Dewatering
- Light Effluent
- Water Transfer

ORDERING INFORMATION

Catalog Number	HP	Maximum Load Amps	Volts	Phase/Cycles	Cord Length	Mechanical Switch Type	Switch Setting	
							On	Off
DC233110M	1/3	9.8	115	1/60	10'	Manual	—	—
DC233110T	1/3	9.8	115	1/60	10'	Tethered	13"	4"
DC233110V	1/3	9.8	115	1/60	10'	Vertical	7"	2"
DC233120M	1/3	9.8	115	1/60	20'	Manual	—	—
DC233120T	1/3	9.8	115	1/60	20'	Tethered	13"	4"
DC233120V	1/3	9.8	115	1/60	20'	Vertical	7"	2"
DC233130T	1/3	9.8	115	1/60	30'	Tethered	13"	4"
DC250110M	1/2	12.5	115	1/60	10'	Manual	—	—
DC250110T	1/2	12.5	115	1/60	10'	Tethered	13"	4"
DC250110V	1/2	12.5	115	1/60	10'	Vertical	7"	2"
DC250120M	1/2	12.5	115	1/60	20'	Manual	—	—
DC250120T	1/2	12.5	115	1/60	20'	Tethered	13"	4"
DC250120V	1/2	12.5	115	1/60	20'	Vertical	7"	2"

Noryl® is a registered trademark of General Electric Co.

In order to provide the best products possible, specifications are subject to change.

DC233/ DC250 SERIES

SPECIFICATIONS

Motor – Oil-cooled 1/3 HP and 1/2 HP versions available, 115 Volts, single phase, 60 Hz

Motor Cover/Volute – Cast iron

Lower Volute Base – Fiberglass reinforced polypropylene

Switch – Tethered float or vertical

Power Cord – 10' or 20' grounded three-prong, water-resistant, type SJTW-A/SJTW

Discharge – 1-1/2" FNPT

Exterior Hardware – Stainless steel

Shaft Seal – Mechanical, carbon/ceramic

Impeller – Fiberglass reinforced Noryl® with threaded brass insert

Bearings – Upper sleeve and Lower ball bearings, oil lubricated

Maximum Liquid Temperature Limits – 130°F (55°C)

FEATURES

Switch – Tethered float switch operates in sump diameters of 14" or larger. Vertical switch design with guard allows for operation in sump diameters of 10" or larger.

Construction – Rugged cast iron pump body and motor cover for applications needing a durable pump.

Intake – Screened intake prevents debris from entering the pump.

Oil-Cooled Motor – Transfers heat to sump water efficiently while lubricating internal motor components.

Performance – Models range up to 62 gallons per minute at 5' of lift.

Anti Air Lock Hole – Built into base; eliminates added labor.

Solids Handling Capability – 1/2"

Ball Bearings and Shaft Seal – Lubricated and designed for long life.

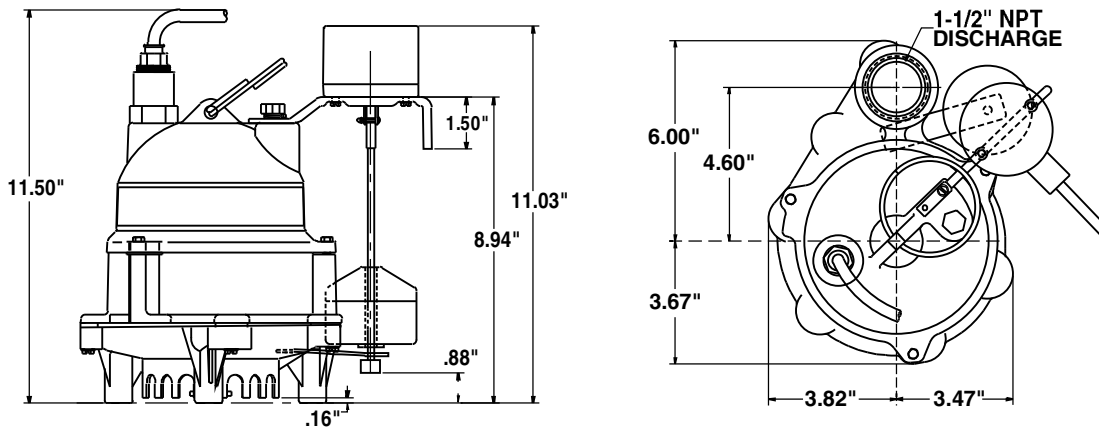
Easy Serviceability – Pump intake screen, impeller, base, switch, and power cord are serviceable.



cast iron submersible sump pumps

OUTLINE DIMENSIONS – VERTICAL FLOAT

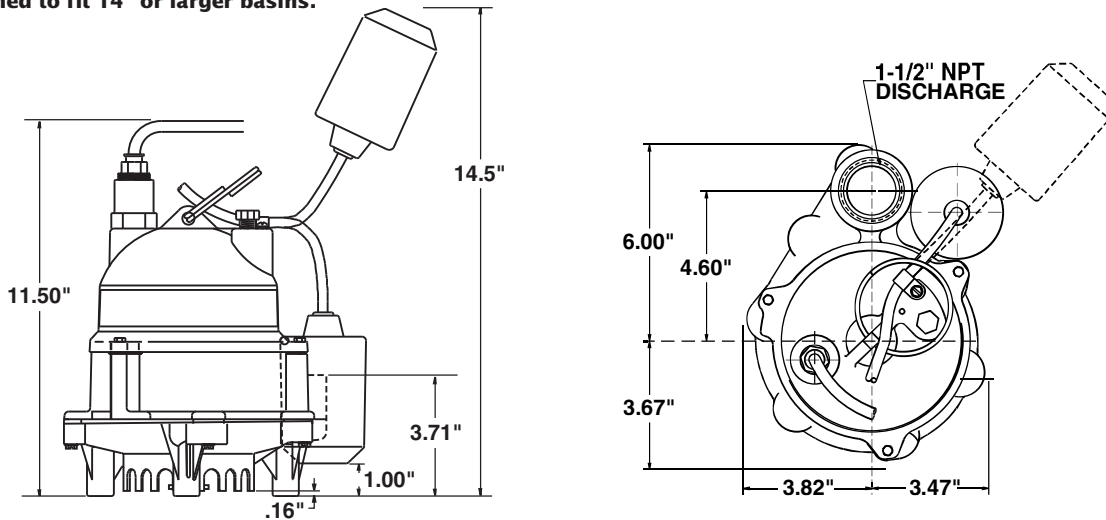
Designed to fit 10" or larger basins.



Dimensions (in inches) are for estimating purposes only.

OUTLINE DIMENSIONS – TETHERED FLOAT

Designed to fit 14" or larger basins.

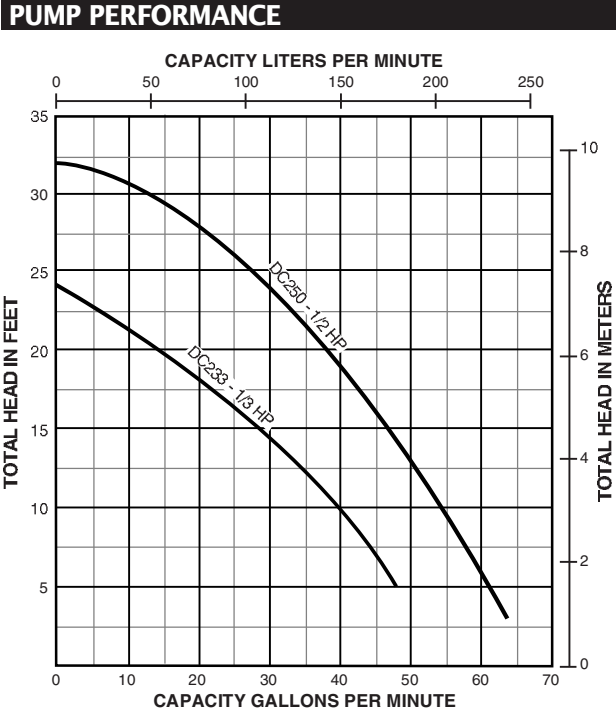
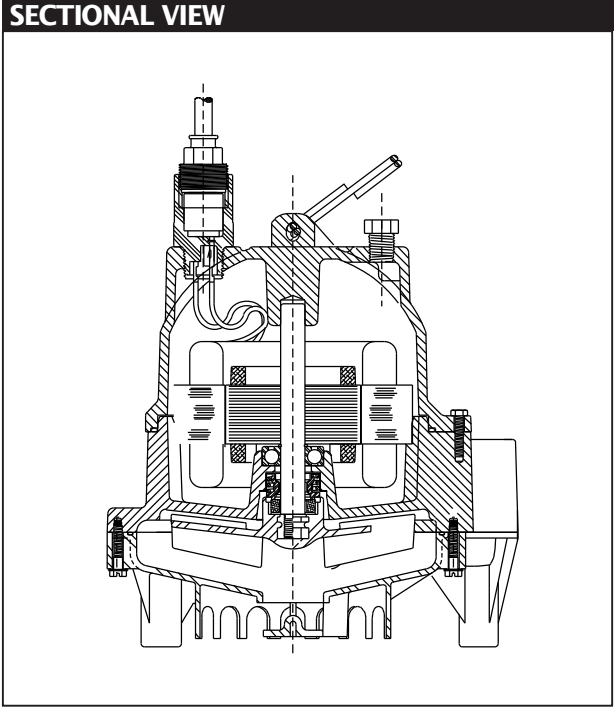


Dimensions (in inches) are for estimating purposes only.



cast iron submersible sump pumps

PUMP PERFORMANCE					
1/3 HP					
Vertical Lift Feet/Meters	5/1.5	10/3	15/4.6	20/6.1	Shut-Off 24/7.3
Gallons/Liters Per Minute	48/182	40/151	29/110	15/57	No Flow
1/2 HP					
Vertical Lift Feet/Meters	5/1.5	10/3	15/4.6	20/6.1	25/7.6
Gallons/Liters Per Minute	62/235	53/201	46/174	38/144	29/110
					No Flow





cast iron submersible sump pumps



Customer Service: (888) 782-7483 ■ Fax Orders: (800) 426-9446 ■ www.pumps.com ■ Pentair Water ■ Delavan, WI 53115 USA ■ S5099SES (9/07)